

Tube Filling & Cartoning Solutions for Pharmaceuticals, Ophthalmology, Healthcare and Personal Care Products

At Elba Labs, we specialize in providing high-quality tube filling and cartoning services for a wide range of industries. Whether you need to fill or package pharmaceuticals, ophthalmology, healthcare or personal care products, our advanced solutions ensure that every product is filled, sealed and packaged with the utmost precision and care.

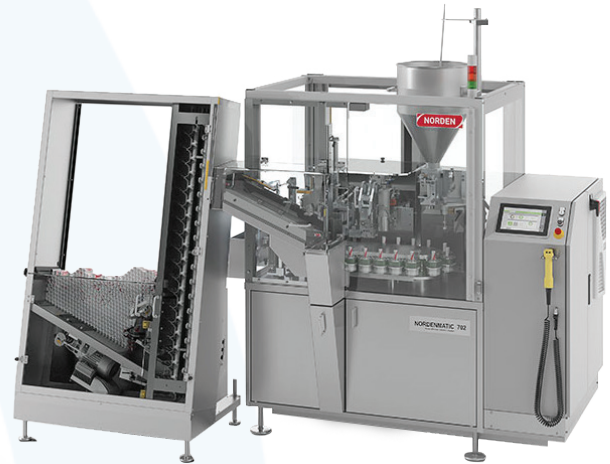


We use state-of-the-art equipment, including high-speed, automated tube filling and cartoning systems from Norden (NM702), to meet the demands of both high-volume production and smaller, custom runs. Elba Labs offers a versatile, reliable and efficient approach to filling and packaging, ensuring that your products not only meet regulatory standards but also stand out on the shelf.

Our Tube Filling & Cartoning Process

Custom Tube Filling Solutions

At Elba Labs, we handle a wide variety of tube formats, including plastic, laminated and aluminum tubes, with an actual output of up to 80 tubes per minute. Our flexible filling systems accommodate different viscosities, from creams and gels to pastes and ointments. No matter the product type, we ensure accurate and consistent dosing for each tube.



PRODUCT RANGE	MAX FILLING VOLUME (ML)	MIN FILLING VOLUME (ML)	TUBE SIZES (MM)
Range Description	300	1	10-50

Integrated Cartoning

Our tube filling services are seamlessly integrated with automatic cartoning systems. This streamlined process allows us to fill, seal and pack tubes into cartons with minimal manual handling, maintaining high efficiency. We cater to various carton types and sizes, providing both standard and customized packaging solutions based on your requirements.

High-Speed Production & Efficiency

Elba Labs' facilities are equipped with the Norden NM 702 high-speed tube filling and cartoning machinery, capable of handling large production volumes. We optimize production schedules to meet tight deadlines, ensuring that your products are filled and packaged quickly without compromising on quality.

Flexible Batch Sizes

Whether you're scaling up for a large production run or need small-batch packaging for limited product releases, Elba Labs is equipped to handle both. Our systems allow for rapid changeovers, minimizing downtime and ensuring a smooth transition between different products and packaging configurations.

Quality Control & Compliance

Our packaging services are designed to minimize contamination, ensure tamper-evident seals and comply with industry-specific guidelines such as GMP (Good Manufacturing Practices), ensuring the safety and integrity of your products.

Why Choose Elba Labs for Your Tube Filling & Cartoning Needs?

Experience & Expertise

With years of experience in the packaging industry, Elba Labs understands the complexities of tube filling and cartoning. We provide customized solutions to meet the specific needs of your product and production volume.

Contact Elba Labs Today

At Elba Labs, we are dedicated to providing the highest level of service and packaging quality. If you're looking for reliable tube filling and cartoning services, we have the experience, technology and expertise to meet your needs. Let us handle your packaging so you can focus on growing your business.

For more information or to request a quote, visit us at www.elba-labs.com/contact

SPECIFICATIONS

Running capacity ¹ (max tubes/min)	80
Filling volume ²	1–300 ml
Dosing accuracy	±0,1–0,5%
Tube length	50–250 mm
Tube diameter ⁶	10–60 mm

1. Depending on tube size, filling product and quality of tube and filling material.
2. An optional design for filling volumes up to 600 ml is available on request.
3. Depending on tube size and material.
4. Air pressure MPa 0,6 (6 bar).
5. Water pressure – min 2 bar into the machine and max 0,5 bar counter pressure at water outlet.
6. Tube diameters >Ø50 (special equipped machines are needed).

TECHNICAL SPECIFICATIONS

NP702 Carton Sizes (mm)	L	W	H
Max	210	52	52
Minimum at 3 carton chains	70	20	15
(Minimum at 4 carton chains)	110	20	15
Max product length	200 mm		

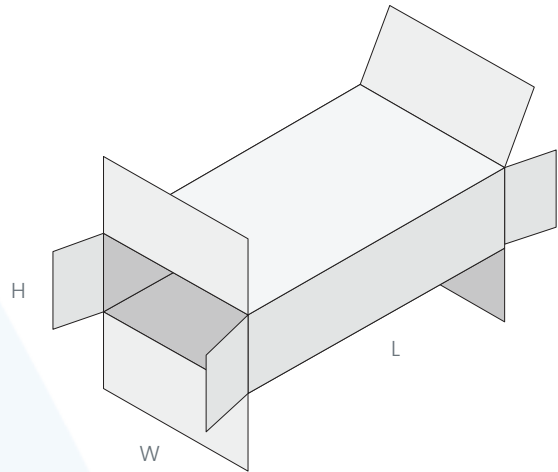
NP702 Nx Carton Sizes (mm)	L	W	H
Max	210	70	70
Min (with 3 carton chains)	84*	20	15
Min (with 4 carton chains)	110	20	15
Max product length	200 mm		

*70 mm as option

NP702 L Carton Sizes (mm)	L	W	H
Max	260	52	52
Minimum at 4 carton chains	110	20	15
(Minimum at 3 carton chains)	70	20	15
Max product length	250 mm		

NP702 LX Carton Sizes (mm)	L	W	H
Max	260	70	70
Minimum at 3 carton chains	110	20	15
(Minimum at 4 carton chains)	84*	20	15
Max product length	250 mm		

*70 mm as option



Running capacity (max cartons/min)	
Standard feed	80-140
Power consumption (max, kW)	1,5 kW
Air consumption	9 Nm ³ /h
Air pressure (MPa / bar)	0,6

Shipping Specifications	HA
Net weight, approx.	1200 kg
Gross weight (case), approx.	1800 kg
Volume, approx.	14 m ³

¹ Depending on tube filler capacity (output varies with carton size, carton quality, carton design and product).